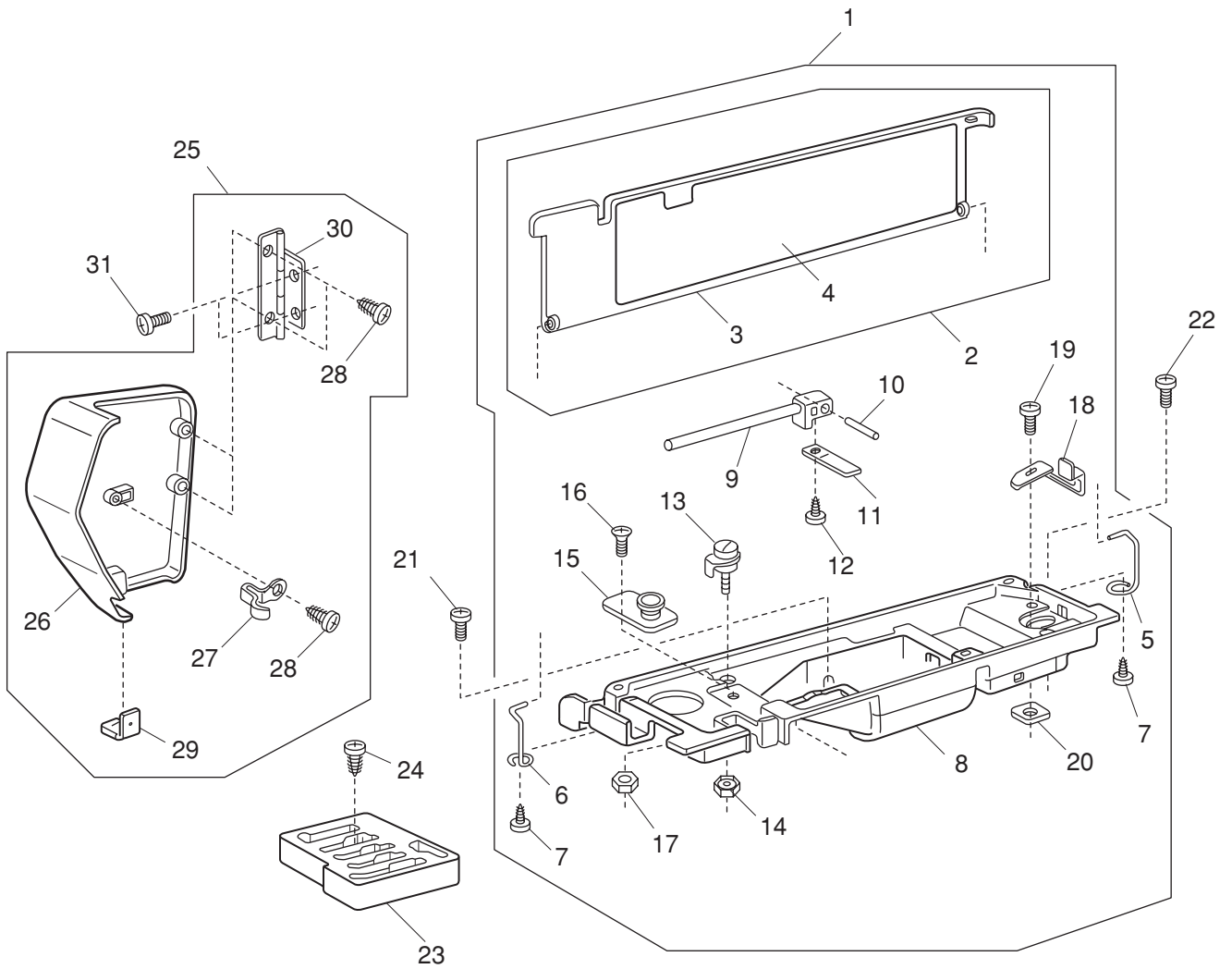


PARTS LIST

MODEL: HDEJ1800

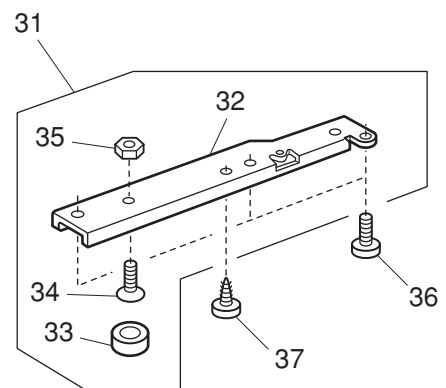
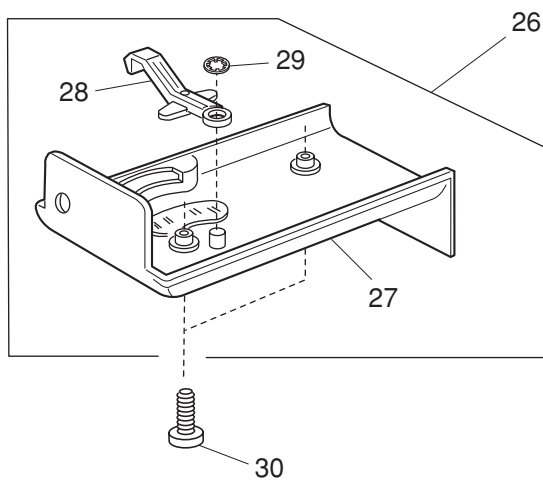
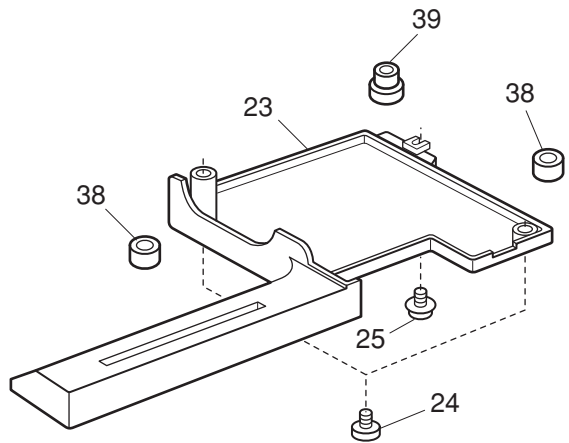
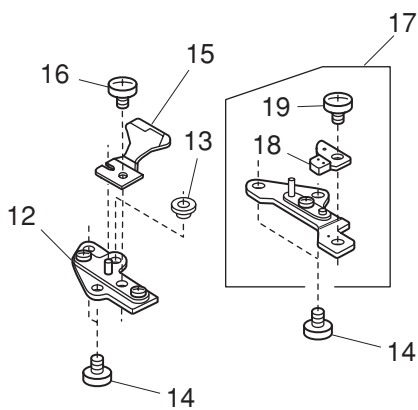
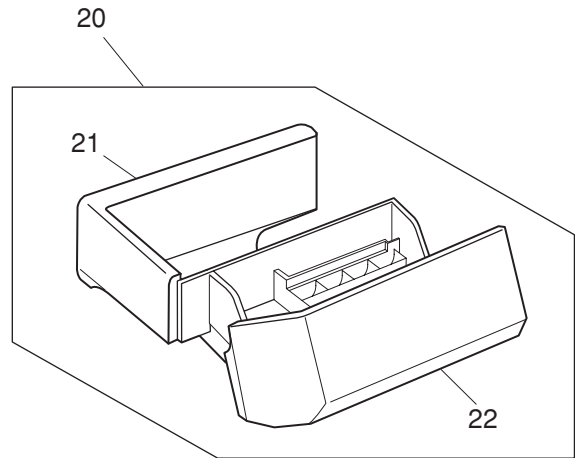
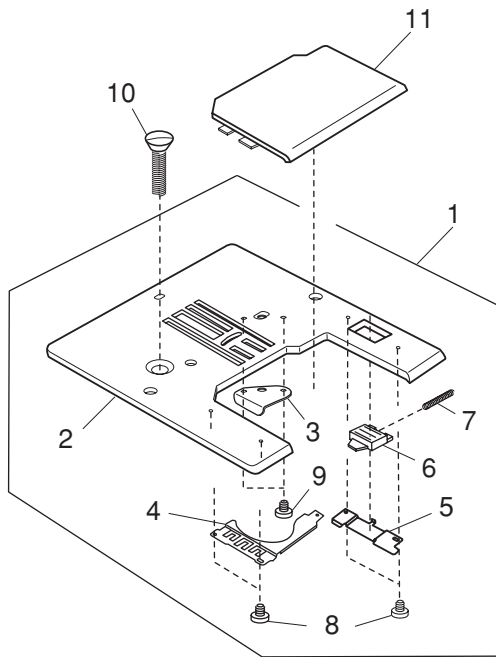
PARTS LIST



PARTS LIST

KEY NO.	PARTS NO.	DESCRIPTION
1	753604050	Top cover (unit)
2	753605051	Top cover (unit)
3	753012000	Top cover
4	754065A04	Flip-top sewing instruction panel
5	753014002	Hinge rod (right)
6	753129001	Hinge rod (left)
7	000120203	Tapping screw 3x8 (B)
8	753015003	Top cover body
9	822016609	Spool pin
10	822017002	Pin
11	822018003	Spring
12	000107318	Tapping screw 3x8 (B)
13	730501011	Bobbin winder thread guide (unit)
14	000160102	Adjustable nut 4
15	753502002	Top cover thread guide base (unit)
16	693093006	Setscrew
17	000062701	Nut
18	687022005	Bobbin winder stopper
19	000066727	Setscrew 3x8
20	630005006	Nut
21	000170507	Setscrew 4x12
22	000080901	Setscrew 4x25
23	754044004	Foot container
24	000120214	Tapping screw 3x8 (B)
25	753673108	Face cover (unit)
26	753267A01	Face cover
27	650025004	Face cover spring
28	000076502	Setscrew 3x8
29	840602006	Thread cutter (unit)
30	366501102	Face cover hinge
31	000081119	Setscrew 4x6

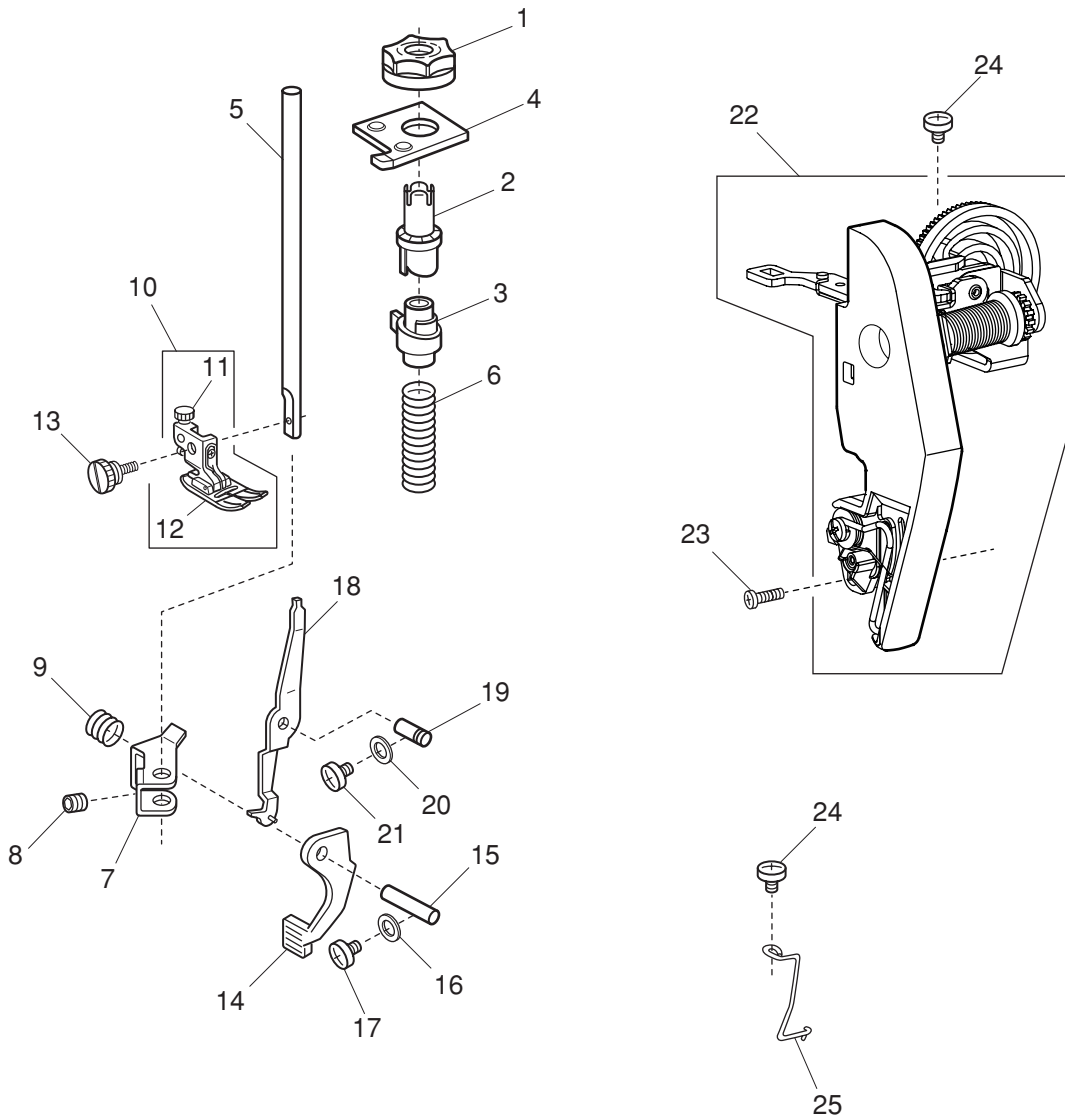
PARTS LIST



PARTS LIST

KEY NO.	PARTS NO.	DESCRIPTION
1	754636205	Needle plate (unit)
2	754052108	Needle plate
3	654078004	Rotation stopper
4	832235010	Hook cover plate holder (left)
5	825015010	Hook cover plate holder (right)
6	825016000	Hook cover plate release button
7	825017001	Hook cover plate holder spring
8	820374004	Setscrew 2x2.3
9	820373003	Setscrew 2x3
10	820390109	Needle plate set screw
11	750036012	Hook cover plate
12	650602001	Needle plate adjusting plate (left) (unit)
13	822314002	Nut
14	000107503	Tapping screw 4x6
15	822011109	Bobbin holder stopper
16	000103808	Setscrew 3x5
17	650603002	Needle plate adjusting plate (right) (unit)
18	627567001	Shuttle hook stopper (unit)
19	810220003	Setscrew
20	753679001	Extension table (unit)
21	754005003	Extension table
22	753265000	Extension table lid
23	753003019	Base
24	000081005	Setscrew 4x8
25	000115205	Setscrew TP 4x6
26	753601105	Bed cover (unit)
27	652005303	Bed cover
28	753005000	Drop feed lever
29	000013903	Snap ring CS-5
30	000101703	Setscrew 4x12
31	753641004	Arm sole (unit)
32	753002007	Arm sole
33	735002001	Rubber cushion
34	000097303	Flat screw 5x20
35	000061319	Nut 5-1-8
36	000066808	Setscrew 6x14
37	000075604	Tapping screw 4x12-2v
38	647009002	Bed rubber cushion
39	735003002	Rubber base

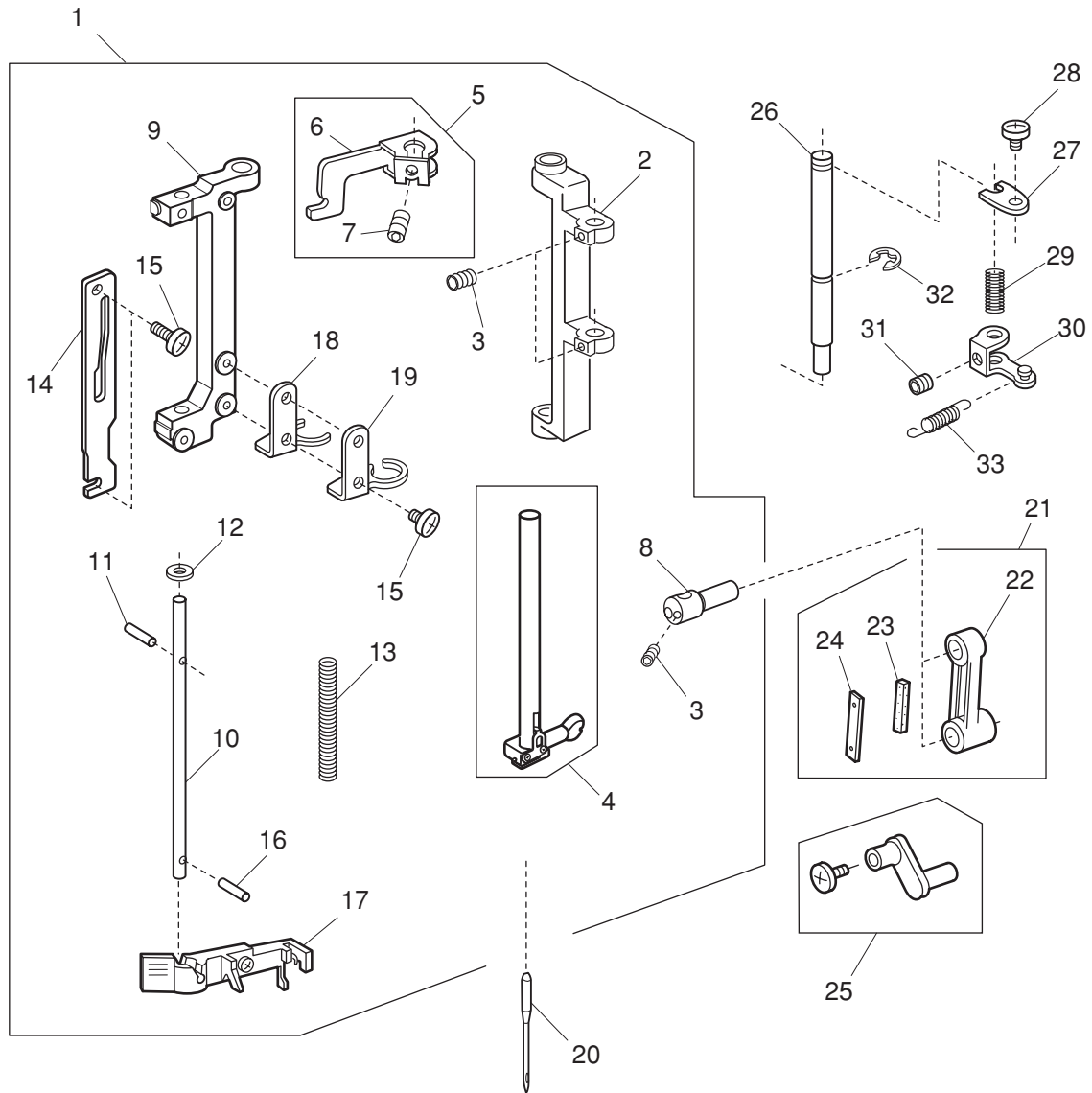
PARTS LIST



PARTS LIST

KEY NO.	PARTS NO.	DESCRIPTION
1	822065201	Presser dial
2	686027007	Presser adjusting cam (1)
3	686028008	Presser adjusting cam (2)
4	824009007	Presser adjusting cam holder
5	102801008	Presser bar
6	815023009	Presser bar spring
7	686074009	Presser bar bracket
8	000111108	Hexagonal socket screw 4x6
9	102222009	Darner spring
10	829515006	Presser foot (unit)
11	804509000	Foot holder (unit)
12	832523007	Presser foot (unit)
13	647112009	Thumb screw
14	652145007	Presser foot lifter
15	822072005	Presser bar lifter pin
16	000072302	Washer
17	000103509	Setscrew 4x10
18	652146008	Thread tension release lever
19	652042003	Thread tension release lever pin
20	671060006	Washer
21	000081005	Set screw 4x8
22	753550005	Thread tension (unit)
23	000101703	Setscrew 4x12
24	000101404	Setscrew 4x6
25	652137006	Arm thread guide (2)

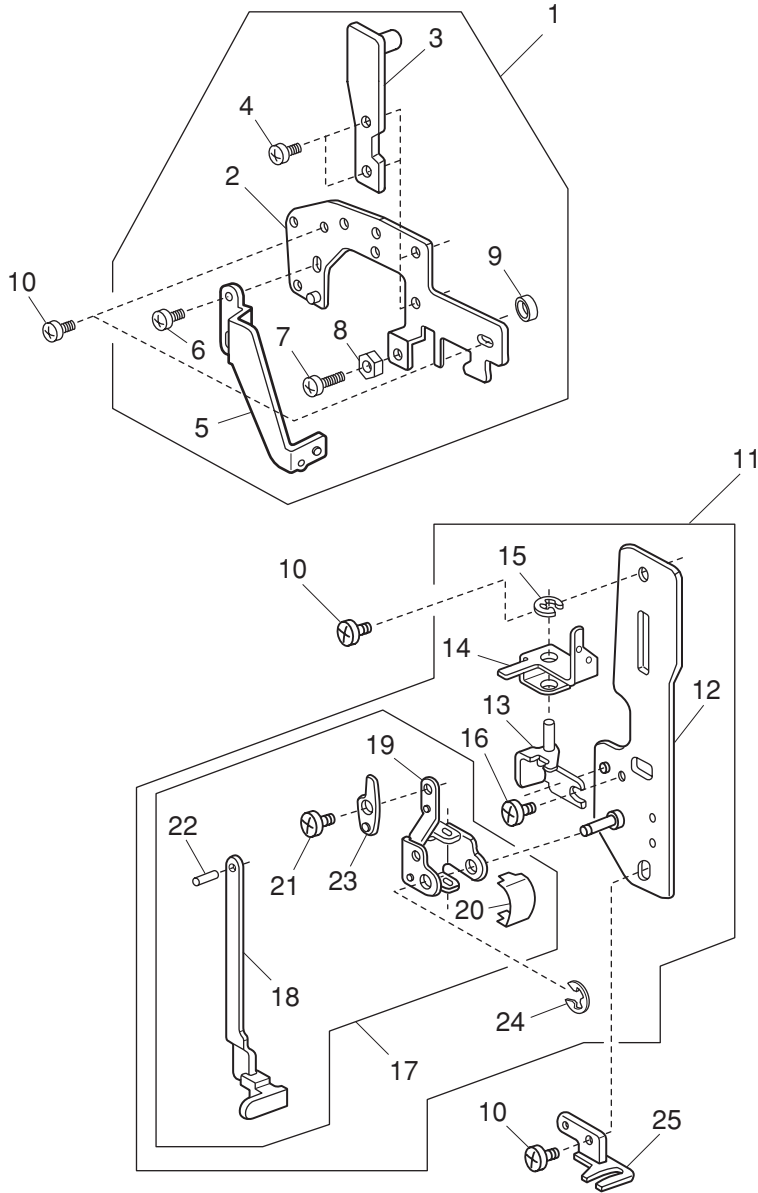
PARTS LIST



PARTS LIST

KEY NO.	PARTS NO.	DESCRIPTION
1	753669101	Needle bar supporter (unit)
2	751014006	Needle bar supporter
3	000111201	Hexagonal socket screw 4x4
4	751630004	Needle bar (unit)
5	807607019	Threader position set plate (unit)
6	807018109	Threader position set plate
7	000111902	Hexagonal socket screw 3x4
8	751047008	Needle bar connecting stud
9	751017009	Threader frame
10	755066005	Threader bar
11	000122906	Pin
12	734107004	Holding plate
13	827091005	Threader bar spring
14	653036029	Threader guide plate
15	000161206	Set screw 3x10 (B)
16	000003508	Spring pin 2x8
17	639643102	Threader plate (unit)
18	751101001	Threader frame spring
19	751019001	Threader frame (lower)
20	102408089	Needle
21	650607006	Needle bar crank rod (unit)
22	650039001	Needle bar crank rod
23	650040005	Felt
24	650041006	Felt holder spring
25	652512009	Needle bar crank pin (unit)
26	650033005	Supporter shaft
27	650034006	Supporter shaft set plate
28	000101404	Setscrew 4x6
29	650036008	Spring
30	650035007	Zigzag width crank
31	000111108	Hexagonal socket screw 4x6
32	000001609	Snap ring E-5
33	686085003	Spring

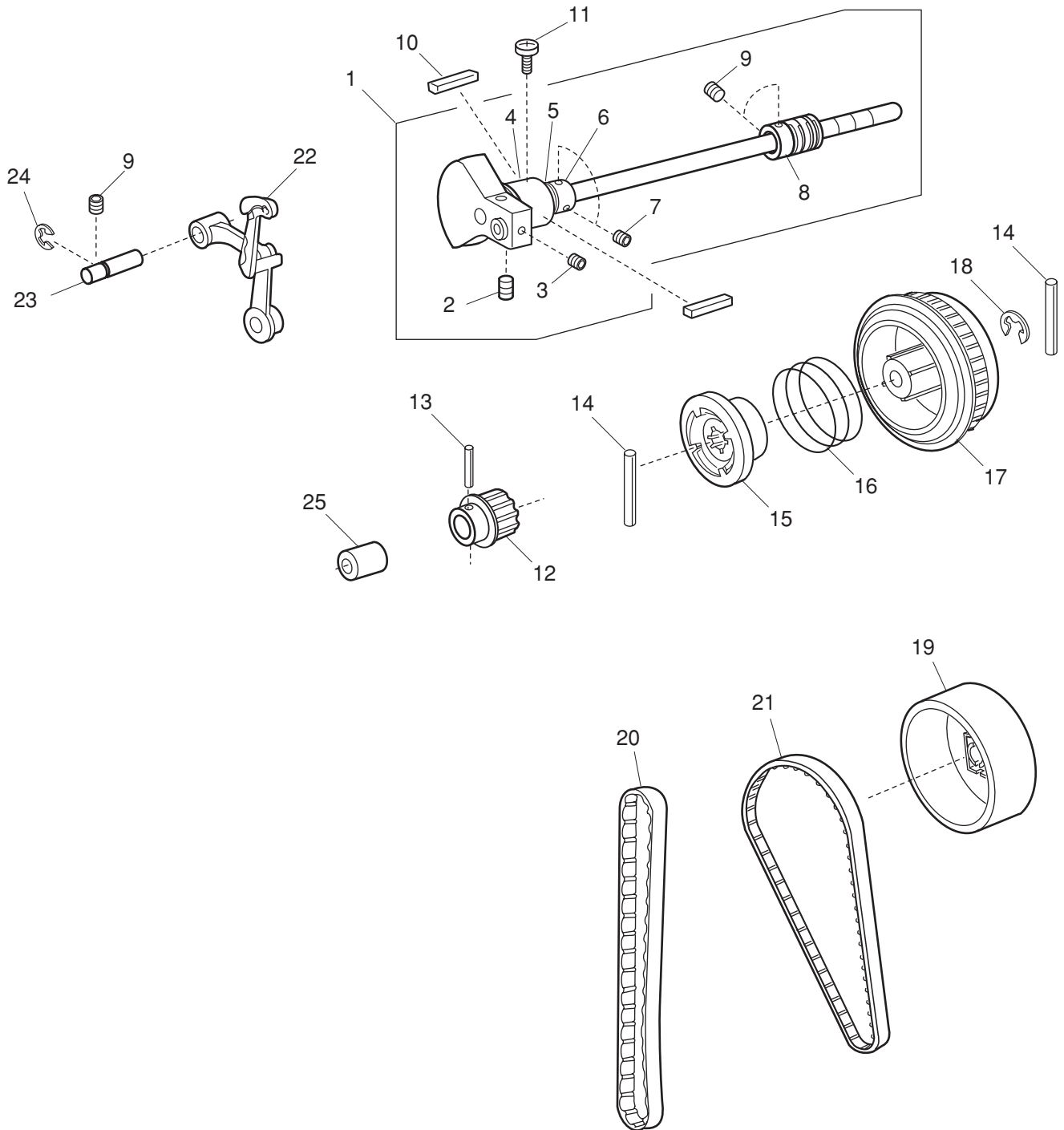
PARTS LIST



PARTS LIST

KEY NO.	PARTS NO.	DESCRIPTION
1	753677009	LED base plate (unit)
2	753216006	Lamp set plate
3	686059008	Carrying handle supporter
4	000101404	Setscrew 4x6
5	753274002	LED set plate arm
6	000101105	Setscrew 3x4
7	000097200	Setscrew 4x12
8	000160102	Adjustable nut 4
9	685042005	Supporter stopper
10	000081005	Setscrew 4x8
11	757604100	Front base plate (unit)
12	757008108	Front base plate
13	753023015	Drag rod link (front) holder
14	753210000	Drag rod link (front)
15	000014007	Snap ring CS-4
16	000081119	Setscrew 4x6
17	753626003	BH lever (unit)
18	753629109	BH lever (unit)
19	753247006	BH lever supporter
20	753027008	Friction spring
21	652203004	Setscrew 3x3.5
22	000023009	Spring pin
23	753029000	BH lever adjusting plate
24	000001207	Snap ring E-2.5
25	757007004	Threader guide

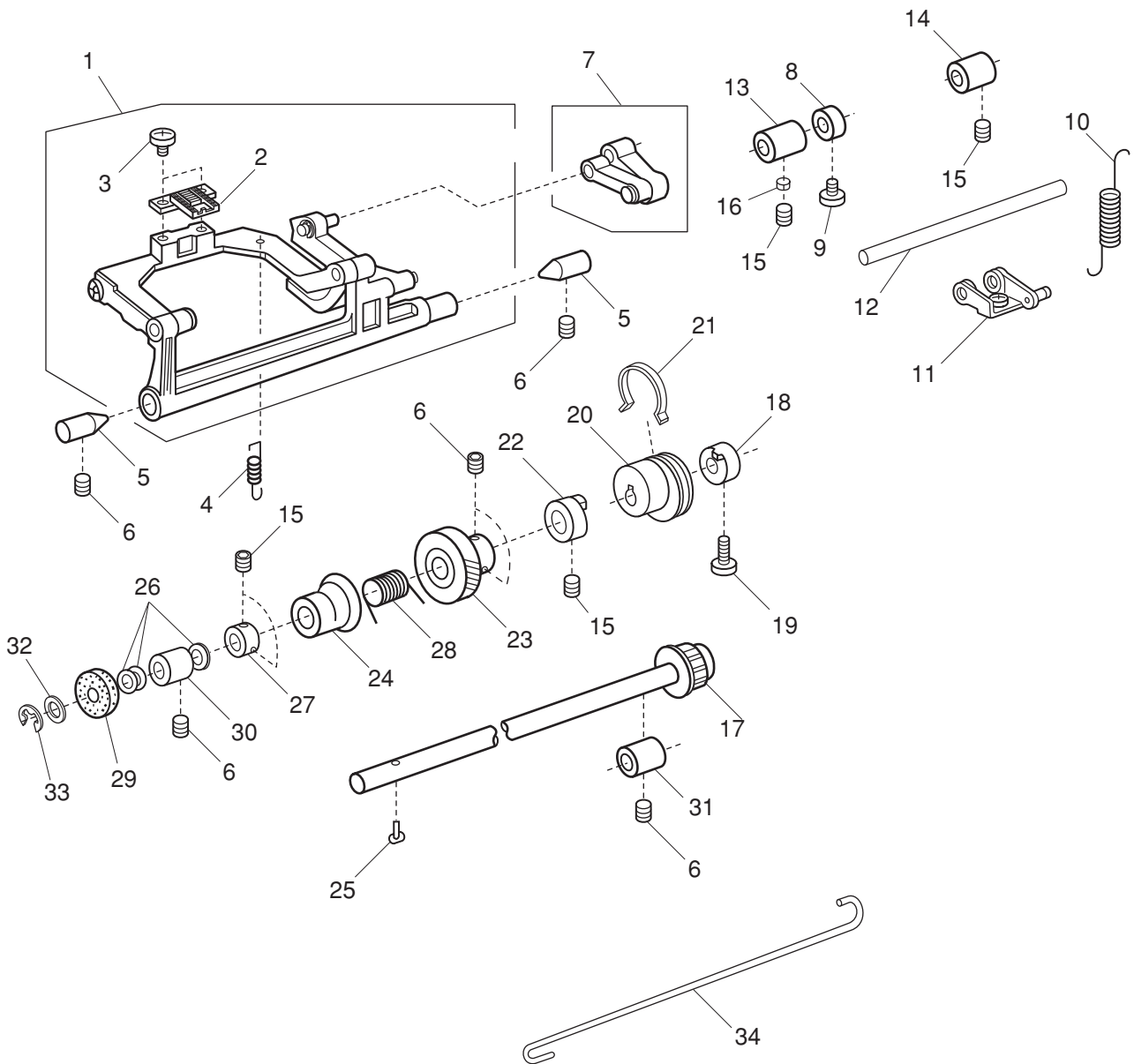
PARTS LIST



PARTS LIST

KEY NO.	PARTS NO.	DESCRIPTION
1	757627006	Upper shaft (unit)
2	000111706	Hexagonal socket screw 5x8
3	000110901	Hexagonal socket screw 5x4
4	829042007	Upper shaft front bushing
5	000038605	Washer
6	639095000	Upper shaft ring
7	000111304	Hexagonal socket screw 5x5
8	650060001	Worm
9	000111201	Hexagonal socket screw 4x4
10	731384008	Felt
11	000101301	Setscrew 5x10
12	756017004	Upper shaft gear
13	000020501	Spring pin 3x22
14	000024206	Spring pin 3x30
15	661020003	Clutch ring
16	661024007	Clutch spring
17	661019009	Belt wheel
18	000030205	Snap ring E-8
19	844077008	Handwheel
20	650071005	Timing belt
21	650166008	Timing belt
22	820511108	Thread take-up lever (unit)
23	650062003	Pin
24	000002806	Snap ring E-6
25	673062004	Upper shaft rear bushing

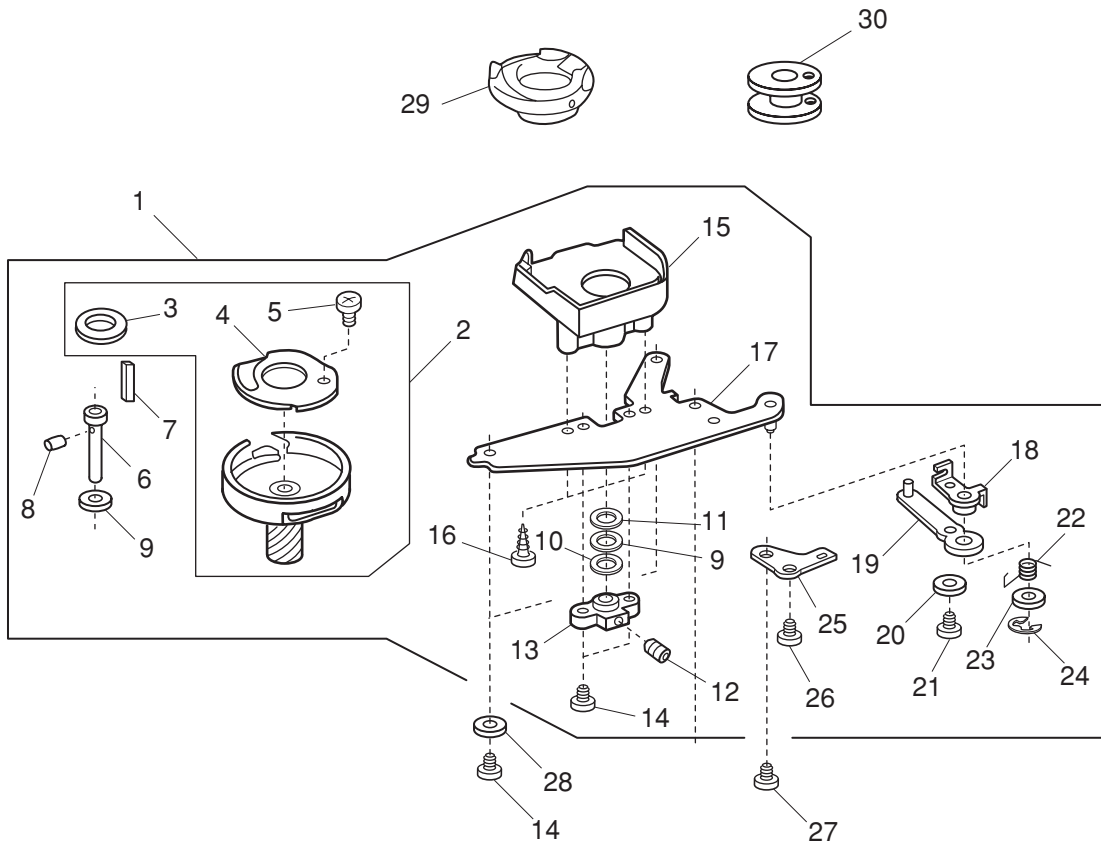
PARTS LIST



PARTS LIST

KEY NO.	PARTS NO.	DESCRIPTION
1	751640409	Feed rock shaft (unit)
2	840005003	Feed dog
3	000104005	Setscrew 3.5x8
4	650085002	Spring
5	738055008	Straight pin
6	000111304	Hexagonal socket screw 5x5
7	650612004	Feed regulator (unit)
8	820387000	Ring
9	000081005	Setscrew 4x8
10	753033007	Regulator spring
11	652607002	Feed regulating arm (unit)
12	650091001	Feed shaft
13	625144002	Bushing (front)
14	650092002	Feed shaft bushing (rear)
15	000111201	Hexagonal socket screw 4x4
16	650175000	Cushion
17	686613006	Lower shaft (unit)
18	650074008	Feed cam ring
19	000121606	Tapping screw 3x12 (S)
20	625120105	Feed cam
21	627207000	Spring
22	625118007	Feed cam ring
23	650955002	Lower shaft gear
24	753183025	Feed lifting cam
25	820161006	Feed lifting pin
26	000038502	Washer
27	820166001	Ring
28	686035008	Spring
29	735143005	Felt
30	650078002	Lower shaft bushing (front)
31	650079003	Lower shaft bushing (rear)
32	858177002	Washer
33	000002806	Snap ring E-6
34	650101005	Feed transforming rod

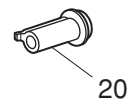
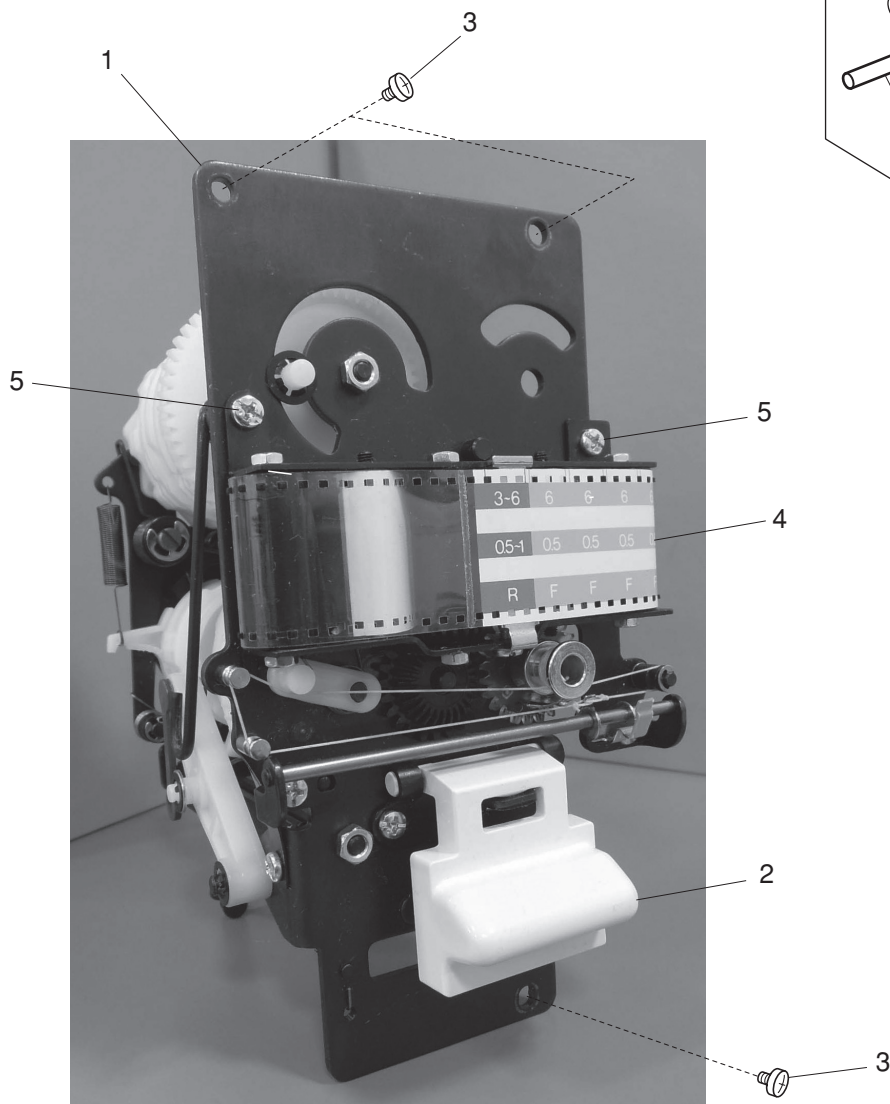
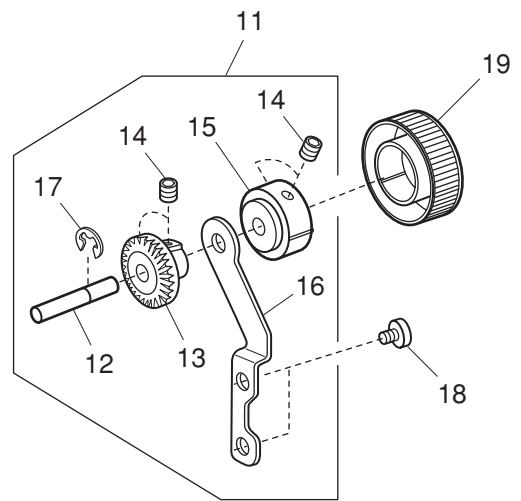
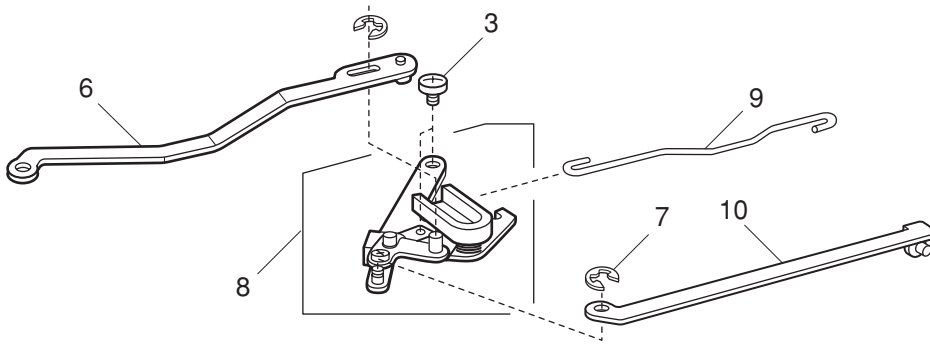
PARTS LIST



PARTS LIST

KEY NO.	PARTS NO.	DESCRIPTION
1	650614110	Hook (unit)
2	652623004	Shuttle body (unit)
3	627190010	Hook race magnet
4	627191000	Hook race bottom plate
5	820374004	Setscrew 2x2.3
6	820123006	Hook driver shaft
7	820124007	Hook shaft oil felt (1)
8	820125008	Hook shaft oil felt (2)
9	000038409	Washer
10	625102008	Plain washer
11	627192001	Washer
12	000111304	Hexagonal socket screw 5x5
13	650094004	Hook shaft base
14	000081005	Set screw 4x8
15	827040009	Hook gear cover
16	000107204	Tapping screw 3x12 (B)
17	650096006	Hook base plate
18	650097007	Feed shift arm
19	650098008	Feed shift plate
20	000070218	Plain washer
21	000103808	Set screw 3x5
22	650099009	Feed shift spring
23	650023002	Washer
24	000002105	Snap ring E-3
25	650171006	Set plate
26	000101404	Setscrew 4x6
27	650172007	Hinge screw
28	000070506	Polished plain washer 4
29	627569106	Bobbin holder
30	102261000	Bobbin

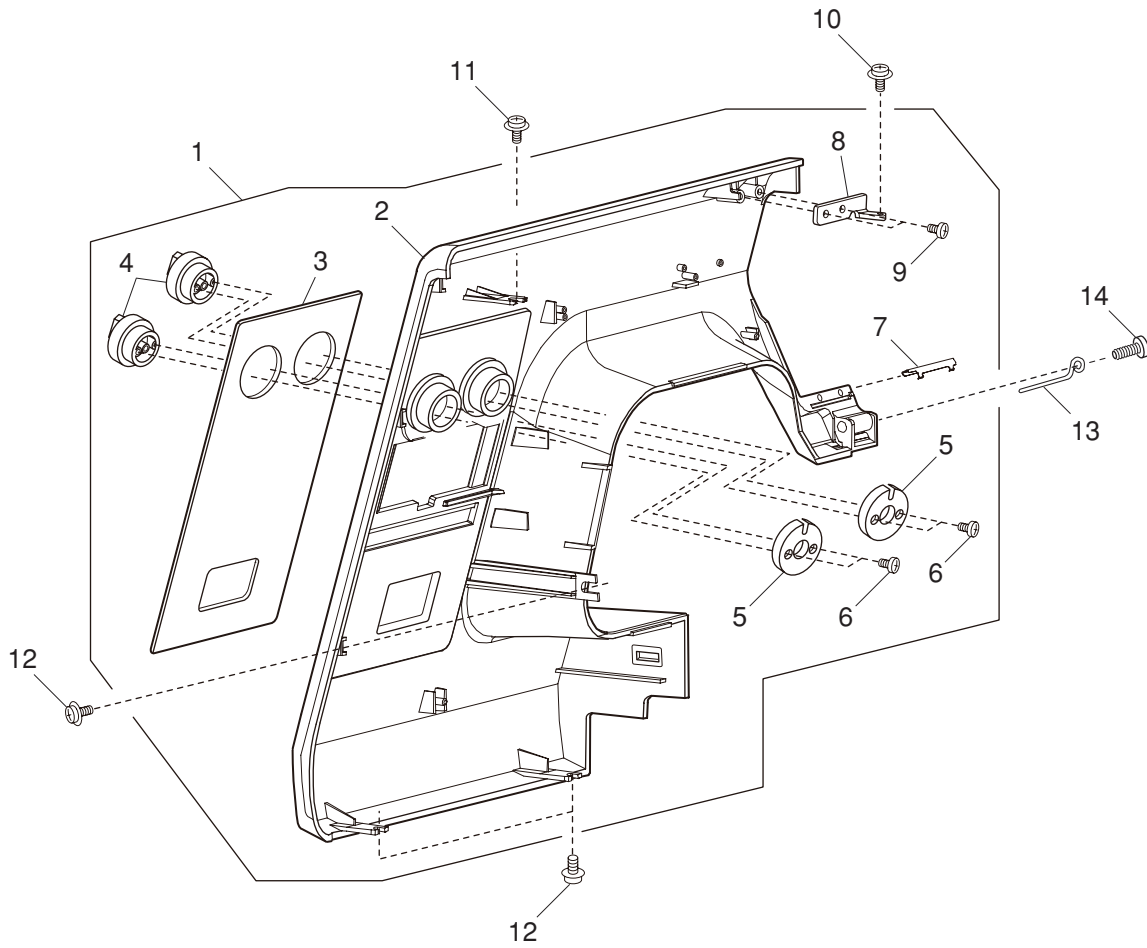
PARTS LIST



PARTS LIST

KEY NO.	PARTS NO.	DESCRIPTION
1	753674006	Cam block (unit)
2	654126008	Reverse button
3	000081005	Setscrew 4x8
4	654611902	Guide tape (unit)
5	000103808	Setscrew 3x5
6	650156005	Zigzag rod (front)
7	000002105	Snap ring E-3
8	686618104	Zigzag arm (unit)
9	650155004	Zz width rod
10	652082005	Zigzag adjusting rod
11	654641015	Pattern selector dial shaft (unit)
12	753203114	Pattern selector dial shaft
13	753082104	Dial teeth wheel
14	000111201	Hexagon socket screw 4x4
15	753202009	Select dial tube
16	753279007	Dial set plate
17	000001609	Snap ring E-5
18	000101404	Set screw 4x6
19	753201008	Select dial
20	650162509	SS Adjusting knob

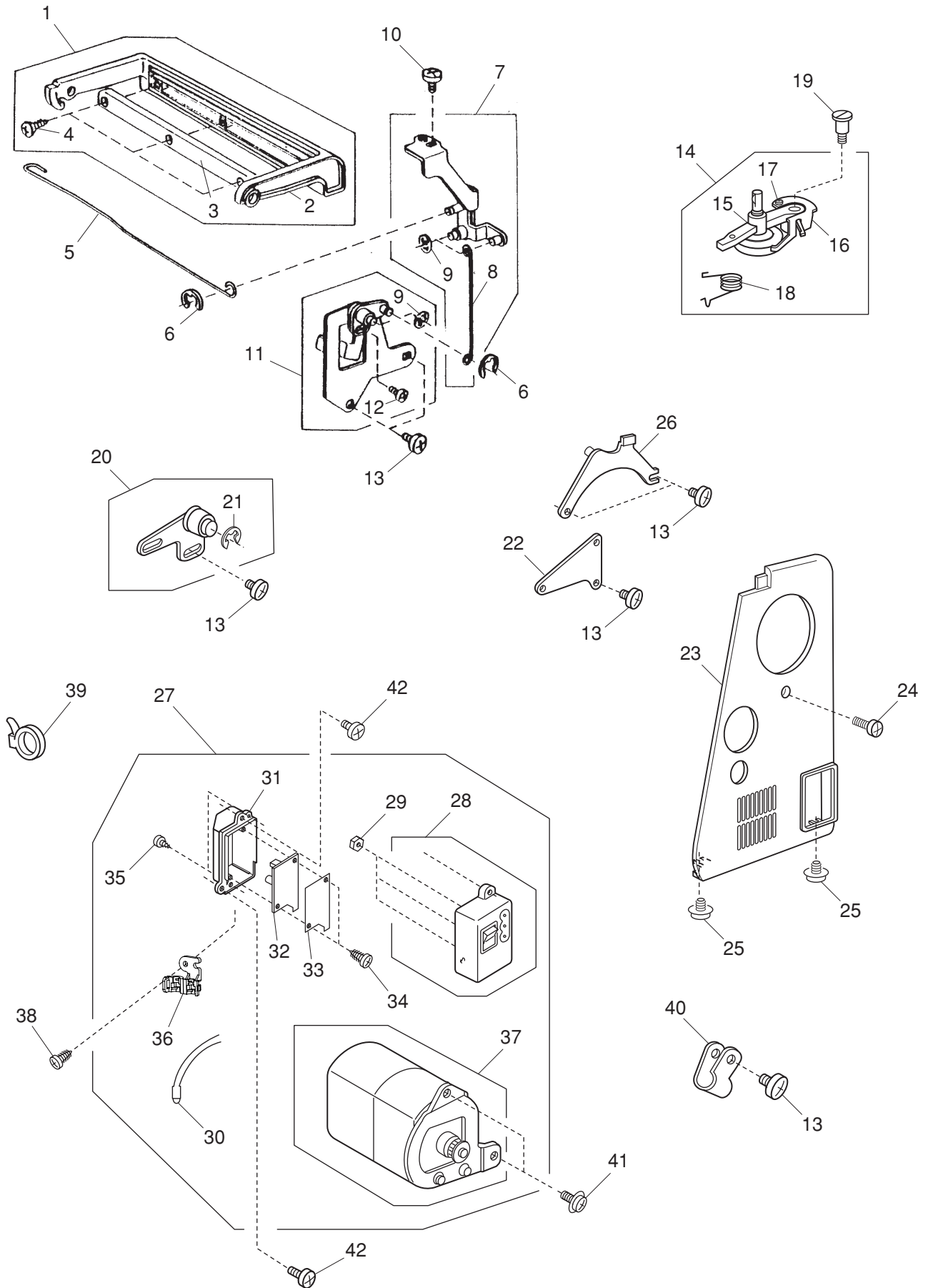
PARTS LIST



PARTS LIST

KEY NO.	PARTS NO.	DESCRIPTION
1	753675007	Front cover (unit)
2	753272A01	Front cover
3	753273A01	Stitch pattern plate flame
4	652085400	Dial
5	652086009	Dial flange
6	000107802	Setscrew 3x10 (B)
7	753125007	Thread guard plate
8	753108004	Front cover base plate (front)
9	000120203	Setscrew 3x8 (B)
10	000115401	Setscrew TP 3x4
11	000115205	Setscrew TP 4x6
12	000115607	Setscrew TP 4x8
13	753126008	Arm thread guide
14	000092917	Setscrew 3.5X30

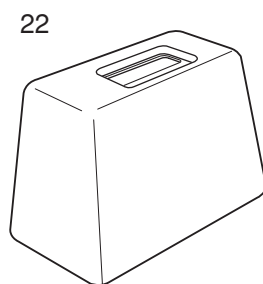
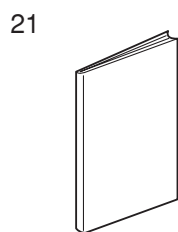
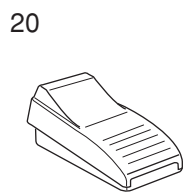
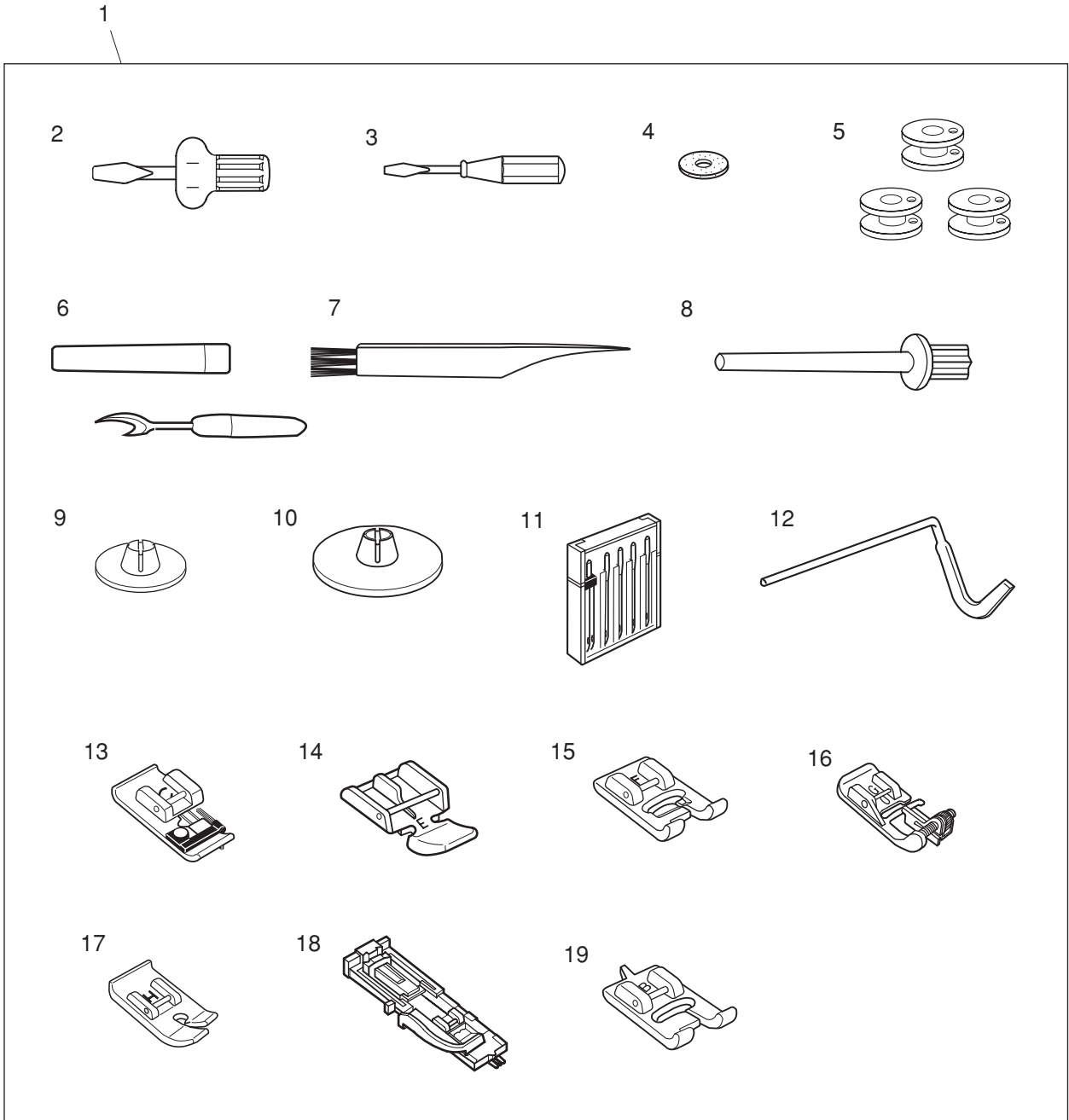
PARTS LIST



PARTS LIST

KEY NO.	PARTS NO.	DESCRIPTION
1	753620007	Carrying handle (unit)
2	753121003	Carrying handle
3	753122004	Carrying handle plate
4	000120502	Flat tapping screw 3x8 (B)
5	753098000	BH drag rod
6	000002105	Snap ring E-3
7	753643006	Drag rod link holder plate (unit)
8	753099012	Bh drag rod (2)
9	000014007	Snap ring CS-4
10	810220003	Setscrew
11	753614008	Step-up base (unit)
12	000101507	Setscrew 3.5x5
13	000081005	Setscrew 4x8
14	757628007	Bobbin winder (unit)
15	653508005	Bobbin winder (unit)
16	757071009	Clutch release plate
17	000078319	Setscrew 3x6
18	823119008	Bobbin winder frame spring
19	686063005	Hinge screw
20	753619003	Idler (unit)
21	000002806	Snap ring E-6
22	753116005	Belt cover retaining plate
23	753164019	Belt cover
24	000101806	Setscrew 4x16
25	000115205	Setscrew TP 4x6
26	753120002	Carrying handle supporter plate
27	753678000	Machine socket (unit)
28	739503308	Machine socket (unit)
29	000060802	Nut 3-1-5.5
30	508515105	LED (unit)
31	508133002	Machine socket cover
32	508512102	Printed circuit board C (unit)
33	508134003	Flame retardant insulating paper
34	000120203	Setscrew 3x8 (B)
35	000107802	Setscrew 3x10 (B)
36	508143005	LED holder
37	754623003	Motor (unit)
38	000103808	Setscrew 3x5
39	000053008	Cord binder
40	000188405	Nylon clip
41	000115504	Setscrew TP 5x10
42	000103509	Setscrew 4x10

PARTS LIST



PARTS LIST

KEY NO.	PARTS NO.	DESCRIPTION
1	753870129	Accessories (unit)
2	820832005	Screwdriver (large)
3	647803004	Screwdriver (small)
4	102403202	Felt
5	102261103	Bobbin
6	647808009	Seam ripper
7	802424004	Lint brush
8	625031500	Spool pin
9	822019507	Spool holder (small)
10	822020503	Spool holder (large)
11	820827007	Needle case
12	802422002	Quilt bar
13	822801001	Overedge foot (C)
14	829801002	Zipper foot (E)
15	822804118	Satin foot (F)
16	820817015	Blind hem foot (G)
17	823801107	Straight stitch foot (H)
18	753801004	Automatic buttonhole foot (R)
19	820801016	Buttonhole foot
20	C-2040-1	Foot control
21	753800472	Instruction book
22	476701500	Cover